

4

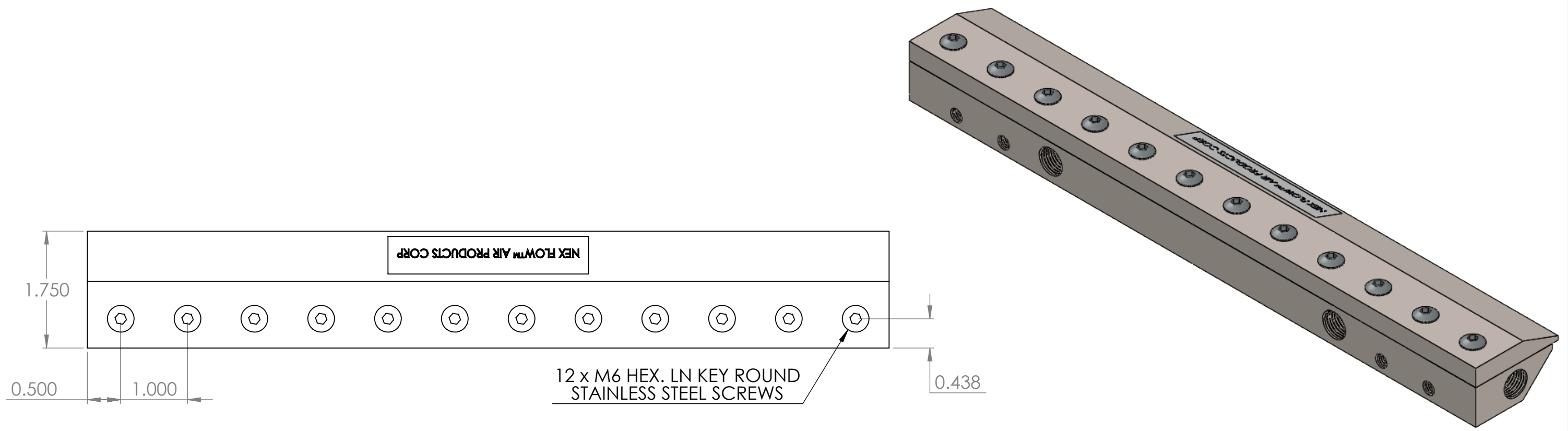
3

2

1

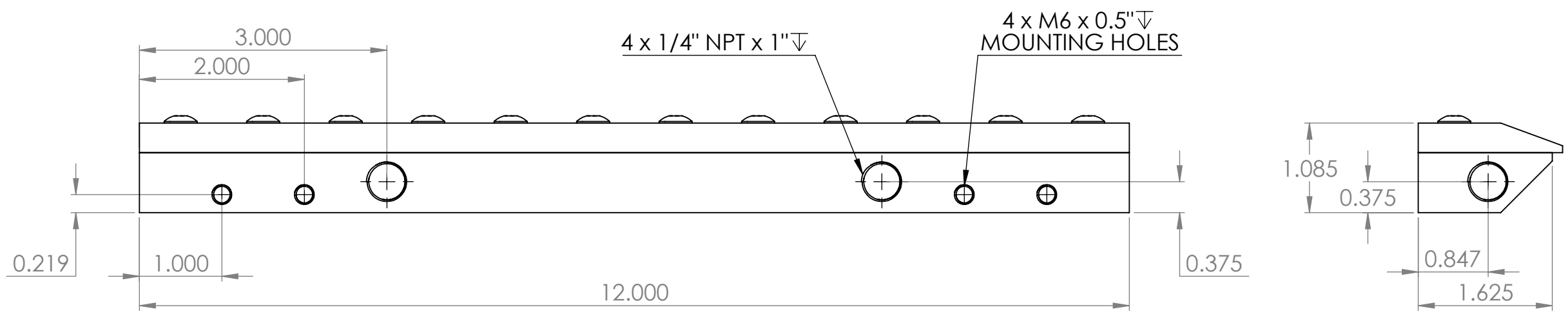
B

B



A

A



PROPRIETARY AND CONFIDENTIAL

THE INFORMATION CONTAINED IN THIS DRAWING IS THE SOLE PROPERTY OF NEXFLOW. ANY REPRODUCTION IN PART OR AS A WHOLE WITHOUT THE WRITTEN PERMISSION OF NEXFLOW IS PROHIBITED.

		UNLESS OTHERWISE SPECIFIED:		NAME	DATE	NEX FLOW™ AIR PRODUCTS CORP. 10520 YOUNG STREET, UNIT 35B220, RICHMOND HILL, ON, L4C 3C7 TEL: (416) 410-1313 & FAX: (416) 410-1806 www.nexflow.com	
		DIMENSIONS ARE IN INCHES		DRAWN	AMMAD		SEPT/4/21
		TOLERANCES:		CHECKED			
		FRACTIONAL \pm		ENG APPR.			
		ANGULAR: MACH \pm BEND \pm		MFG APPR.			
		TWO PLACE DECIMAL \pm		Q.A.			
		THREE PLACE DECIMAL \pm					
		INTERPRET GEOMETRIC TOLERANCING PER:					
		MATERIAL					
		SS-316L					
		FINISH					
NEXT ASSY	USED ON						
APPLICATION		DO NOT SCALE DRAWING					

TITLE:

12" X-STREAM AIR BLADE AIR KNIFE

SIZE	MODEL #:	REV
B	10012XS	1

SCALE: 1:1.5 WEIGHT: SHEET 1 OF 1

4

3

2

1