

4

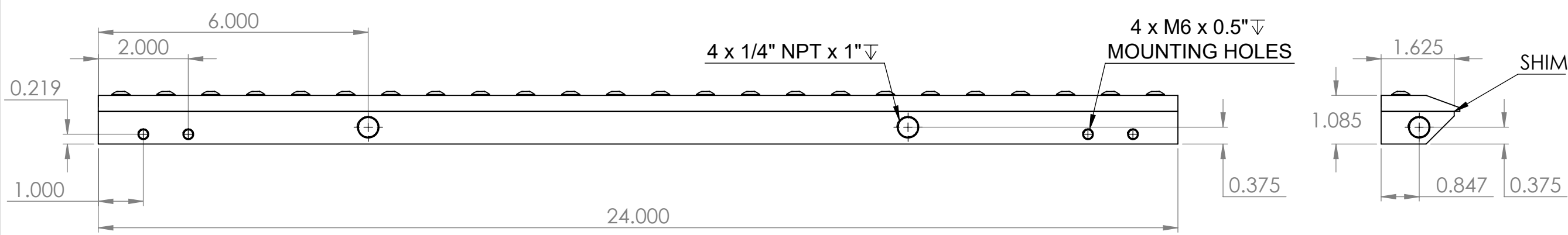
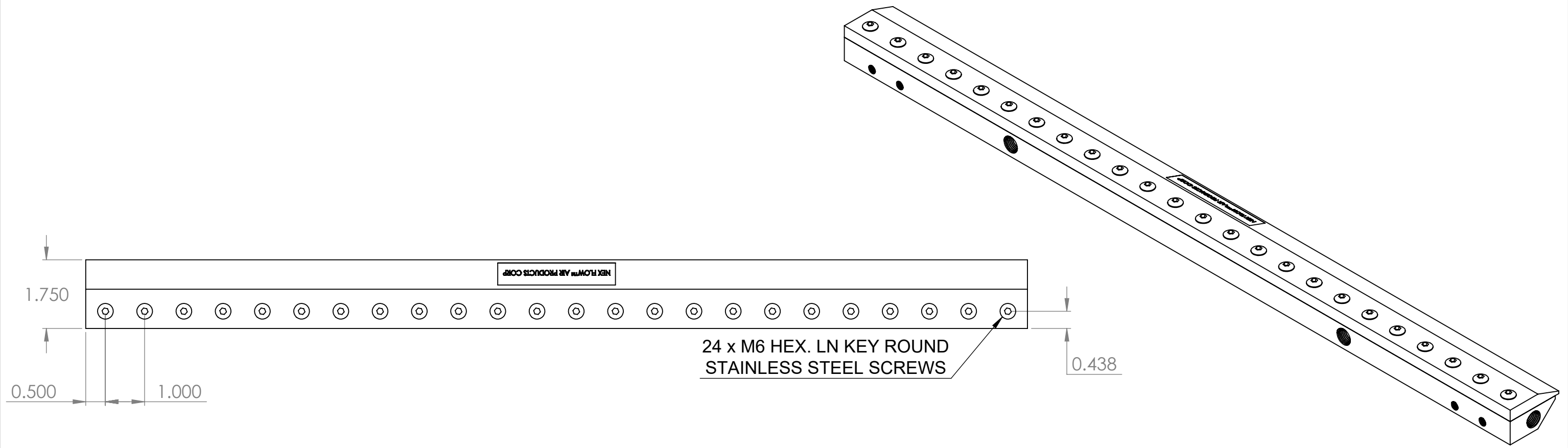
3

2

1

B

B



A

A

PROPRIETARY AND CONFIDENTIAL

THE INFORMATION CONTAINED IN THIS DRAWING IS THE SOLE PROPERTY OF NEXFLOW. ANY REPRODUCTION IN PART OR AS A WHOLE WITHOUT THE WRITTEN PERMISSION OF NEXFLOW IS PROHIBITED.

		UNLESS OTHERWISE SPECIFIED:		NAME	DATE
		DIMENSIONS ARE IN INCHES		DRAWN	AMMAD SEPT/4/21
		TOLERANCES:		CHECKED	
		FRACTIONAL ±		ENG APPR.	
		ANGULAR: MACH ± BEND ±		MFG APPR.	
		TWO PLACE DECIMAL ±		Q.A.	
		THREE PLACE DECIMAL ±			
		INTERPRET GEOMETRIC TOLERANCING PER:			
		MATERIAL			
		SS-316L			
		FINISH			
NEXT ASSY	USED ON				
APPLICATION		DO NOT SCALE DRAWING			

NEX FLOW™ AIR PRODUCTS CORP.
 10520 YOUNG STREET, UNIT 35B220, RICHMOND HILL, ON, L4C 3C7
 TEL: (416) 410-1313 & FAX: (416) 410-1806 www.nexflow.com

TITLE:
24" X-STREAM AIR BLADE AIR KNIFE

SIZE	MODEL #:	REV
B	10024XS	1

SCALE: 1:2.5 WEIGHT: SHEET 1 OF 1

4

3

2

1