

2

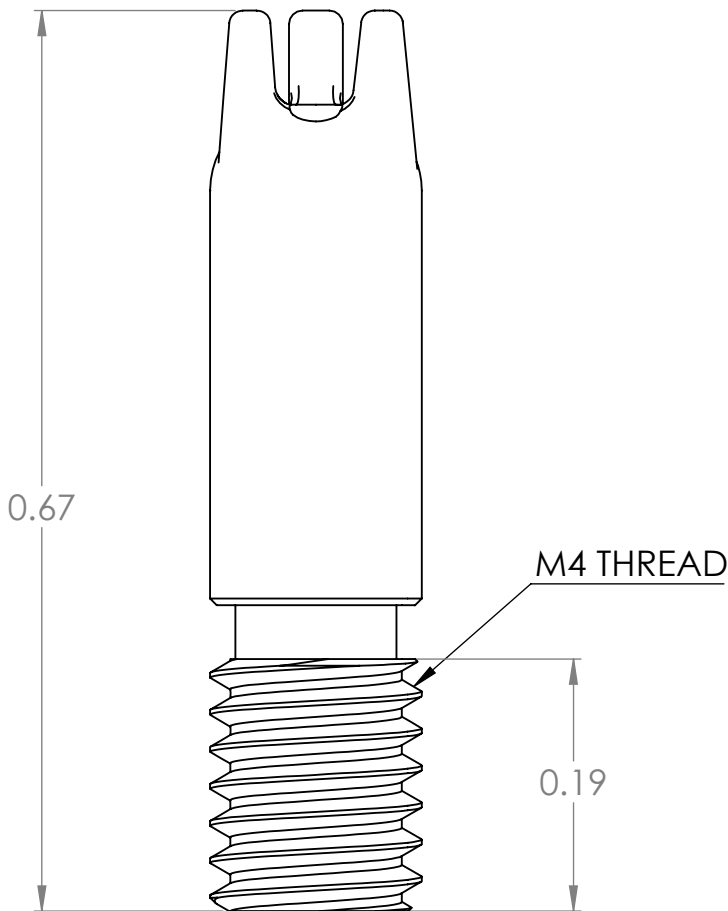
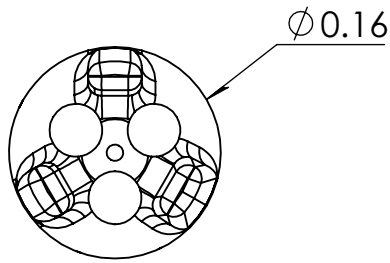
1

B

B

A

A



**PROPRIETARY AND CONFIDENTIAL**

THE INFORMATION CONTAINED IN THIS DRAWING IS THE SOLE PROPERTY OF NEXFLOW. ANY REPRODUCTION IN PART OR AS A WHOLE WITHOUT THE WRITTEN PERMISSION OF NEXFLOW IS PROHIBITED.

|             |                      |   |           |           |
|-------------|----------------------|---|-----------|-----------|
|             |                      | DIMENSIONS ARE IN INCHES<br>TOLERANCES:<br>FRACTIONAL ±<br>ANGULAR: MACH ± BEND ±<br>TWO PLACE DECIMAL ±<br>THREE PLACE DECIMAL ± | NAME      | DATE      |
|             |                      | MATERIAL<br>316 STAINLESS   | DRAWN     | AMMAD     |
|             |                      | FINISH  |           | APR/14/21 |
| NEXT ASSY   | USED ON              |   | CHECKED   |           |
|             |                      |   | ENG APPR. |           |
|             |                      |   | MFG APPR. |           |
| APPLICATION | DO NOT SCALE DRAWING |   | Q.A.      |           |

NEX FLOW™ AIR PRODUCTS CORP.  
10520 YOUNG STREET, UNIT 35B220, RICHMOND HILL, ON, L4C 3C7  
TEL: (416) 410-1313 & FAX: (416) 410-1806 [www.nexflow.com](http://www.nexflow.com)

# AIR MAG NOZZLE

|           |          |              |
|-----------|----------|--------------|
| SIZE      | MODEL #: | REV.         |
| <b>A</b>  | 47000AMS | 1            |
| SCALE:7:1 | WEIGHT:  | SHEET 1 OF 1 |

2

1