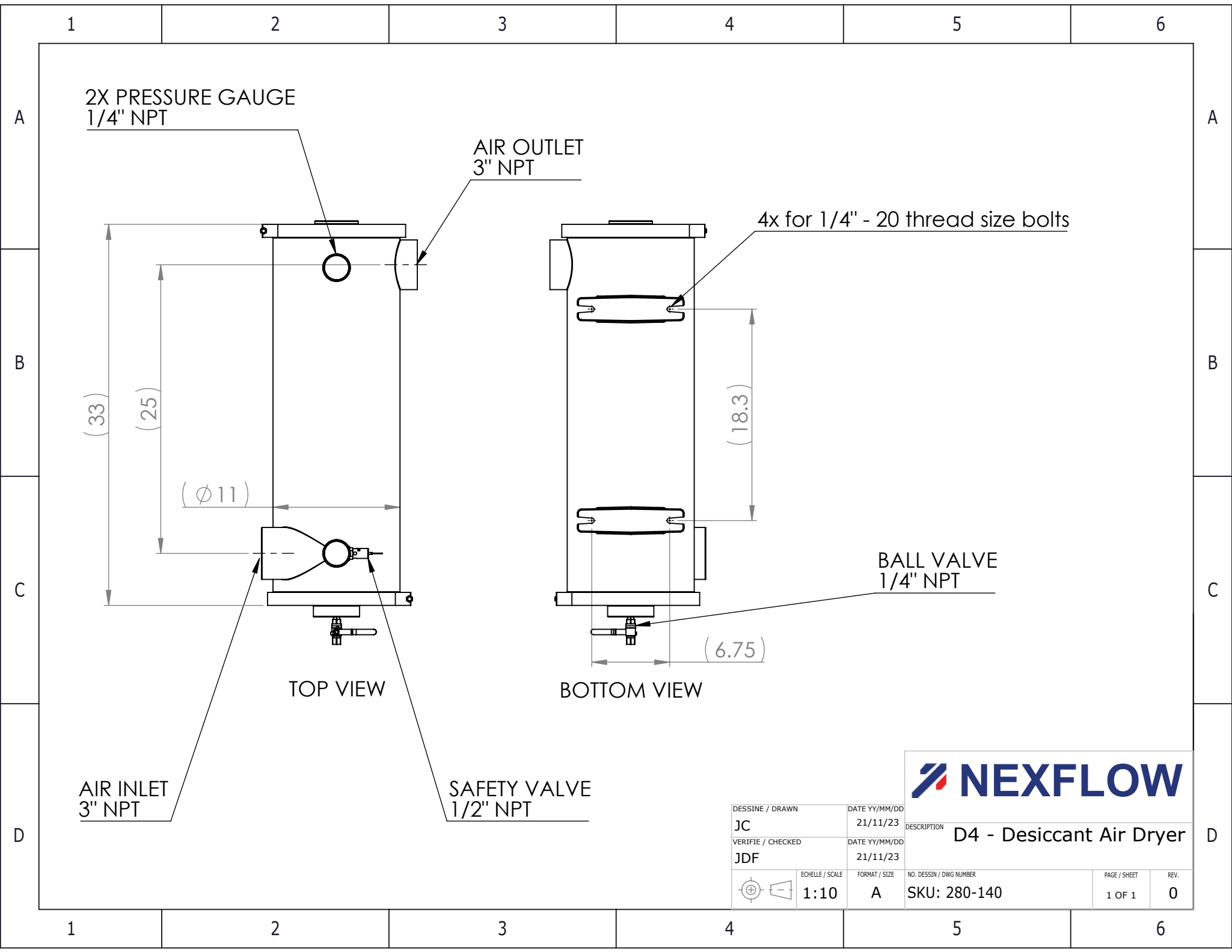
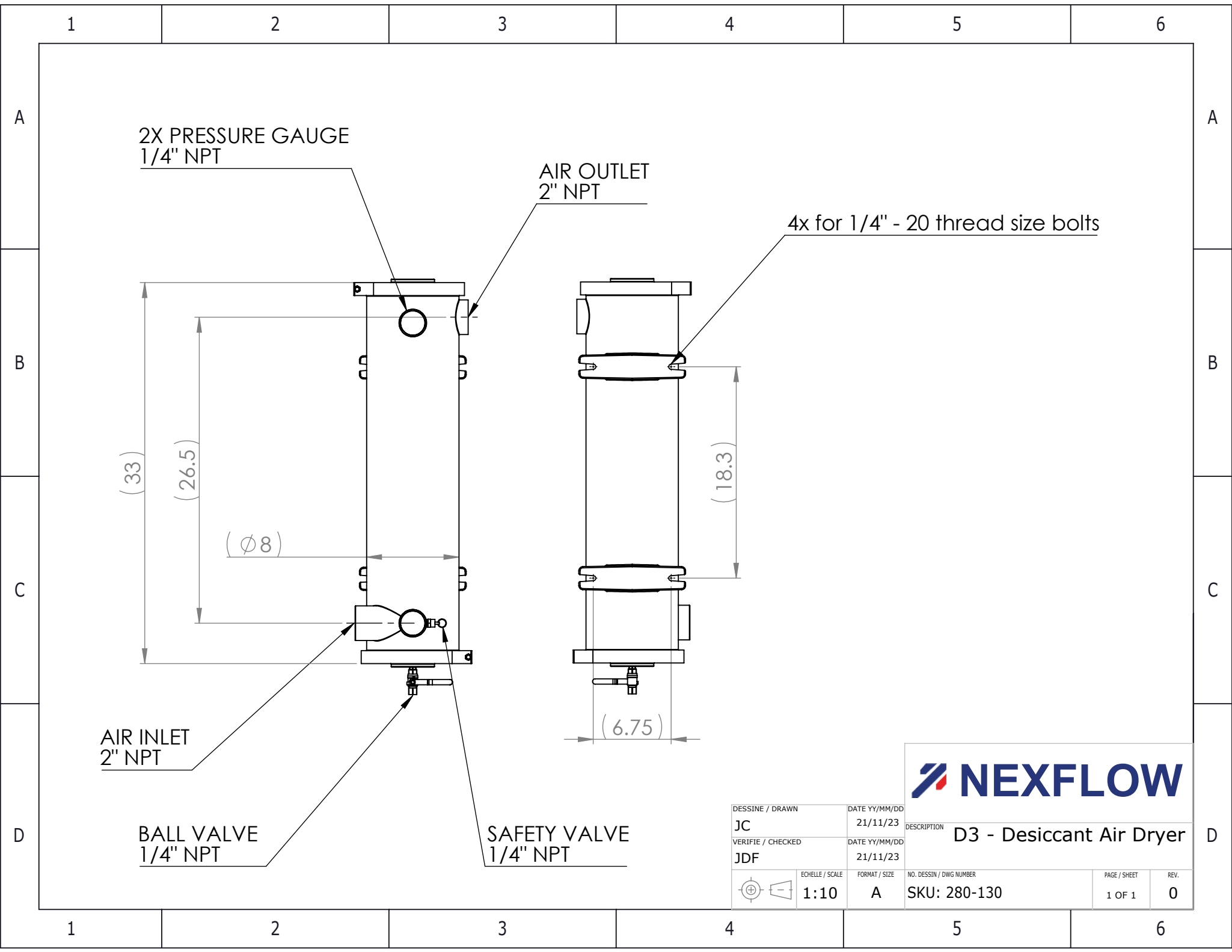


DESSINE / DRAWN JC	DATE YY/MM/DD 21/11/23	DESCRIPTION D1 - Desiccant Air Dryer	PAGE / SHEET 1 OF 1	REV. 0
VERIFIE / CHECKED JDF	DATE YY/MM/DD 21/11/23			
ECHELLE / SCALE 1:5		FORMAT / SIZE A	NO. DESSIN / DWG NUMBER SKU: 280-110	



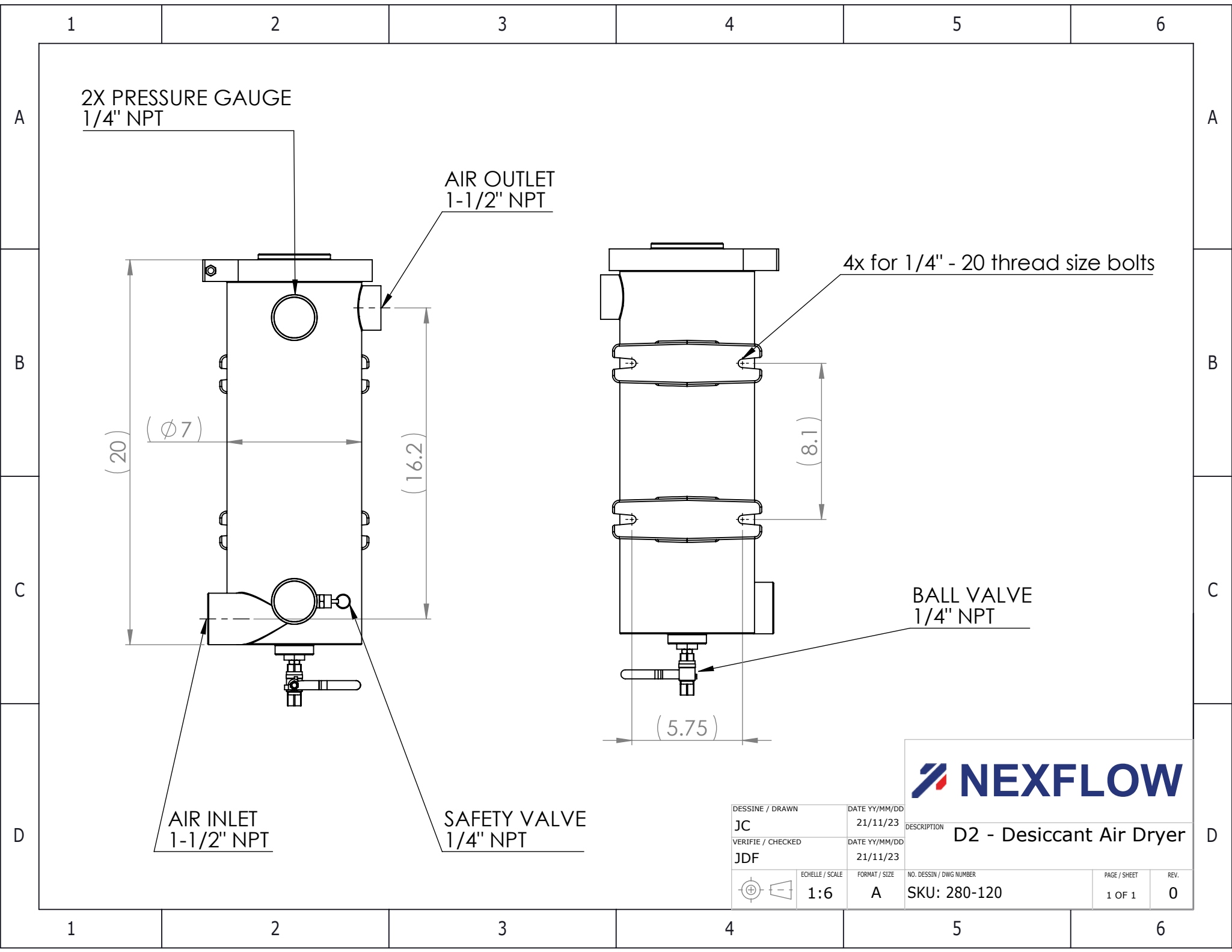
DESSINE / DRAWN JC	DATE YY/MM/DD 21/11/23	DESCRIPTION D4 - Desiccant Air Dryer	PAGE / SHEET 1 OF 1	REV. 0
VERIFIE / CHECKED JDF	DATE YY/MM/DD 21/11/23			
ECHELLE / SCALE 1:10		FORMAT / SIZE A	NO. DESSIN / DWG NUMBER SKU: 280-140	



DESSINE / DRAWN JC	DATE YY/MM/DD 21/11/23
VERIFIE / CHECKED JDF	DATE YY/MM/DD 21/11/23
ECHELLE / SCALE 1:10	FORMAT / SIZE A

DESCRIPTION D3 - Desiccant Air Dryer

NO. DESSIN / DWG NUMBER SKU: 280-130	PAGE / SHEET 1 OF 1	REV. 0
---	------------------------	-----------



DESSINE / DRAWN	DATE YY/MM/DD
JC	21/11/23
VERIFIE / CHECKED	DATE YY/MM/DD
JDF	21/11/23

DESCRIPTION D2 - Desiccant Air Dryer

ECHELLE / SCALE	FORMAT / SIZE	NO. DESSIN / DWG NUMBER	PAGE / SHEET	REV.
1:6	A	SKU: 280-120	1 OF 1	0