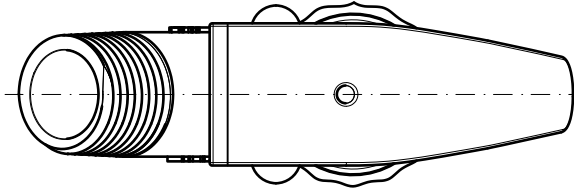
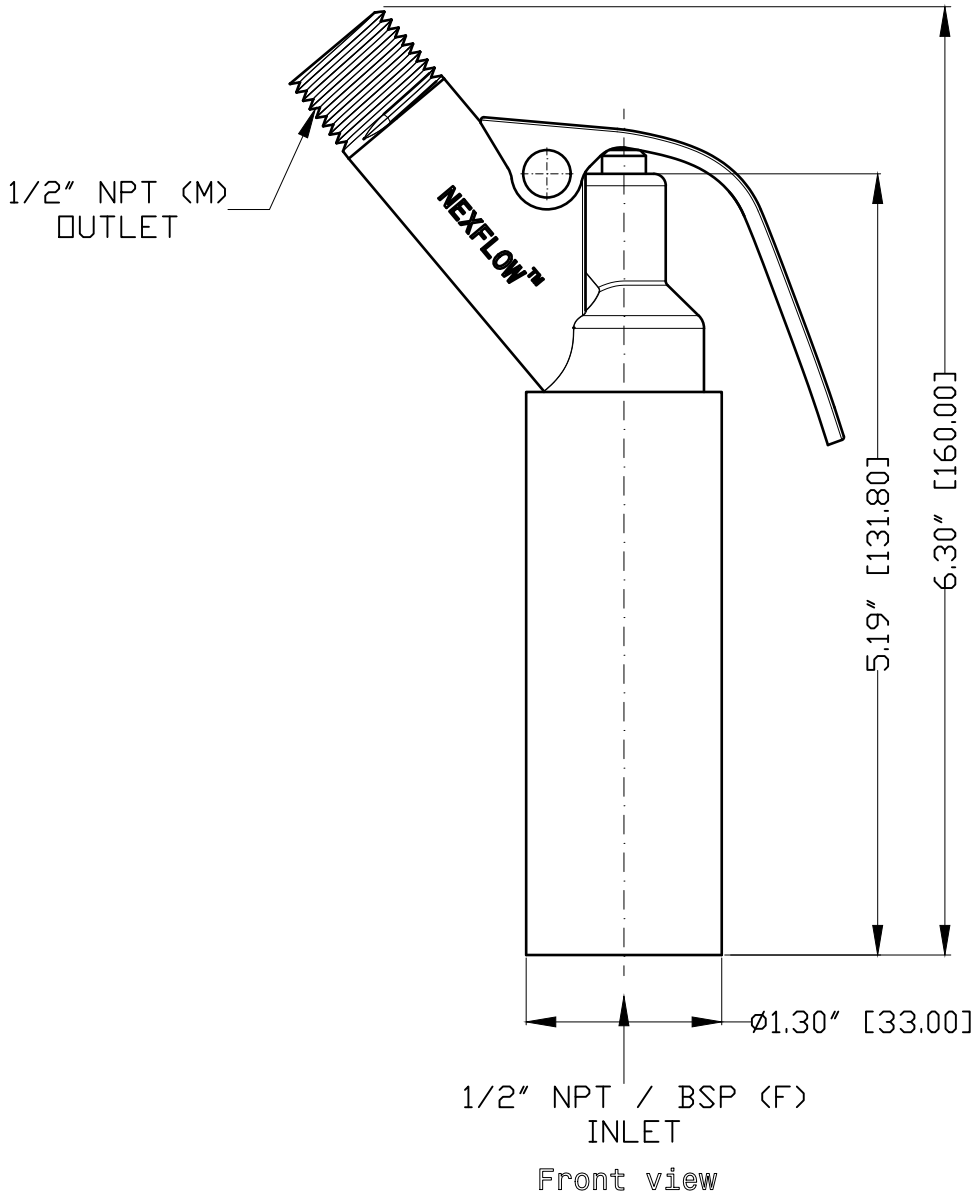


OUTLINE DRAWING



Top view



Front view

PROPRIETARY
REPRODUCTION OR DISTRIBUTION
WITHOUT WRITTEN CONSENT OF
NEXFLOW™ IS PROHIBITED.

THIRD ANGLE PROJECTION 	REQUIREMENTS—UNLESS OTHERWISE SPECIFIED GENERAL	CONTRACT NUMBER — CLIENT —	NEX FLOW AIR PRODUCTS CORP. 10520 YONGE STREET, UNIT 358-220, RICHMOND HILL, ON L4C 3C7 TEL: (416) 410-1313 & FAX: (416) 410-1806 www.nex-flow.com			
	1. DIMS ARE IN INCH 2. DIMENSIONING AND TOLERANCING IN ACCORDANCE WITH ASME Y14.5 (2009) 3. MACHINE FINISH 125 MICRO INCH RMS 4. INTERNAL RADIUS .015 5. BREAK SHARP CORNERS .005 TO .015	DESIGN CHRAGS DATE 21/08/2018 DESIGNER ASHESH	TITLE HIGH FLOW AIR GUN	DRAWN — DATE —	CHECKED — DATE —	APPROVED — DATE —
MATERIAL —	FINISH —	LIMITS 1. LINEAR DIMS. XXX = .005 YYY = .002 ZZZ = .010 2. ANGLES = 2 1/2° 3. RADIUS .010 MIN 4. HOLES IN ACCORDANCE WITH AND 10387	PROJECT —	MANUFACTURING —	MATERIALS —	
PROPRIETARY REPRODUCTION OR DISTRIBUTION WITHOUT WRITTEN CONSENT OF NEXFLOW™ IS PROHIBITED.			SCALE 1:1	PART NO. —	SHEET 1 OF 1	