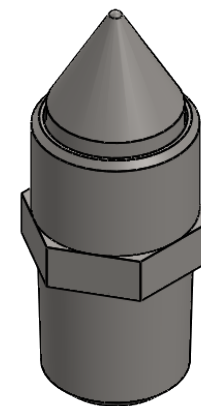
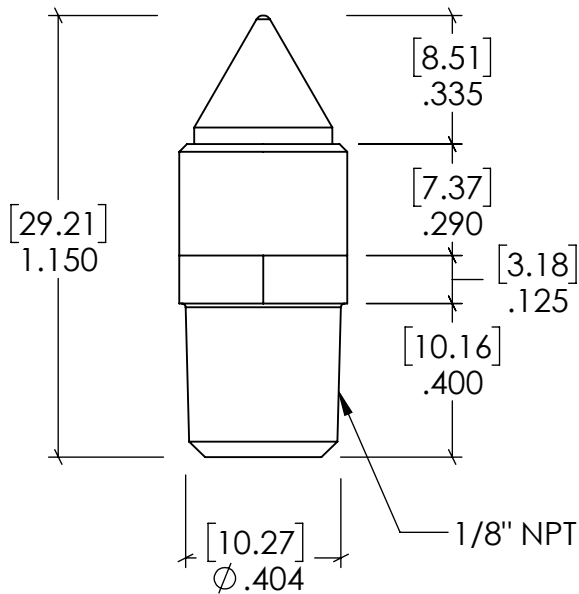


TOP VIEW



ISOMETRIC



FRONT VIEW

Customer Approval	Tolerances:	1/8" CONE SHAPED NOZZLE		
LES RAPCHAK	±.005			
Designed by:	Material:			
Amanjot Singh	Stainless Steel 316L			
Checked by:	Finish:			
Amanjot Singh	50µm			
PROPRIETARY AND CONFIDENTIAL	47003SM-316L			
THE INFORMATION CONTAINED IN THIS DRAWING IS THE SOLE PROPERTY OF NEXFLOW AIR PRODUCTS CORPORATION. ANY REPRODUCTION IN PART OR AS A WHOLE WITHOUT THE WRITTEN PERMISSION OF NEXFLOW AIR PRODUCTS CORPORATION IS PROHIBITED.			Revision No.	
			0	
		Drawing No.	Scale	Size
		1/8" CONE SHAPED NOZZLE	2:1	A

NEXFLOW AIR
 PRODUCTS CORPORATION
 ADDRESS: 10520 Yonge St, Richmond Hill,
 ON L4C 3C7
 PHONE NO: (416) 657-2310