

5

4

3

2

1

C

C

B

B

A

A

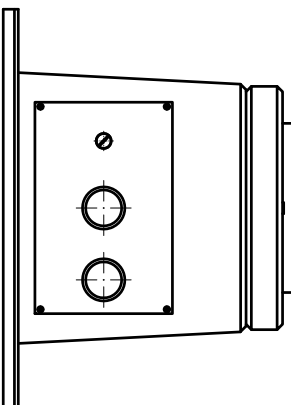
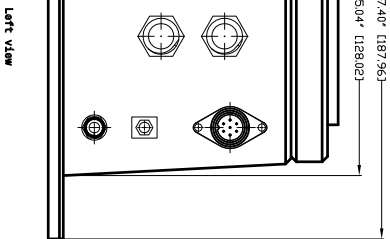
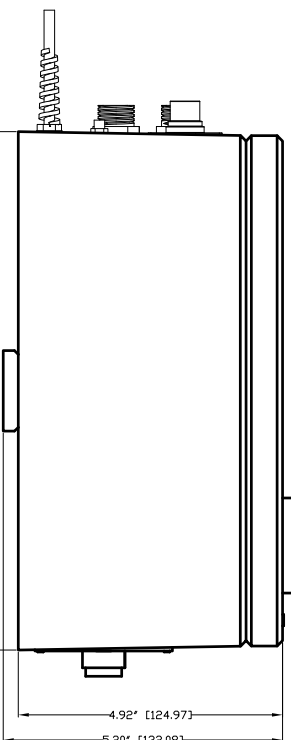
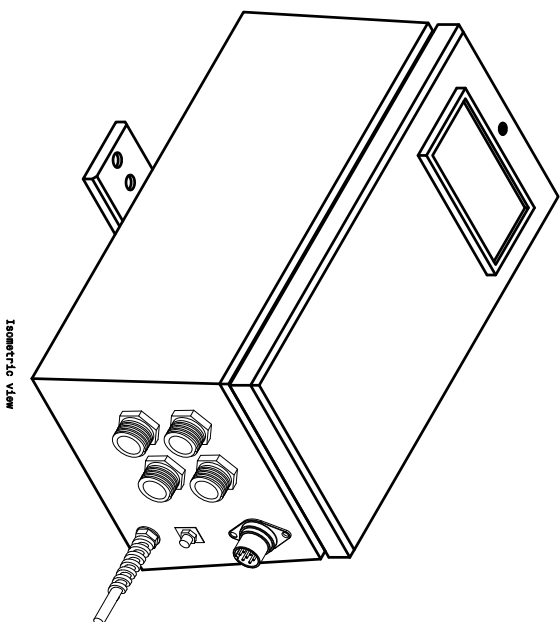
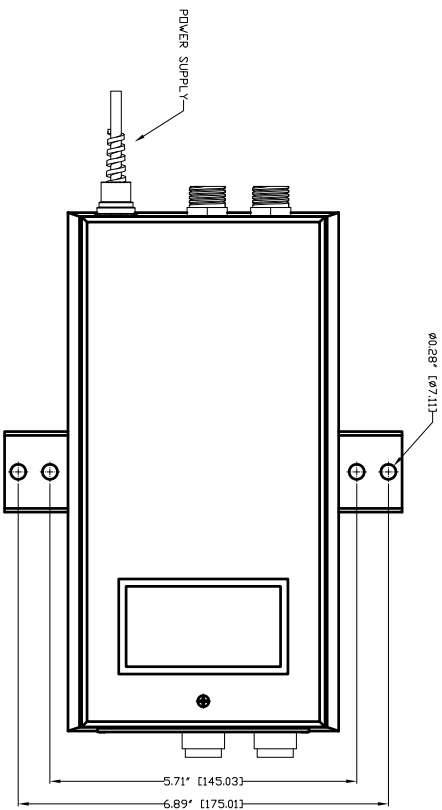
5

4

3

2

1



MATERIAL	FINISH		DRAWING SPECIFICATION		CONTRACTOR SPECIFICATION	
	TEXTURE	COLOR	GENERAL	MANUFACTURING	GENERAL	MANUFACTURING
304 STAINLESS STEEL			1. FURNISH TO MEET THE SPECIFICATIONS OF THE CONTRACTOR	1. FURNISH TO MEET THE SPECIFICATIONS OF THE CONTRACTOR	2. CONFORMANCE WITH ANSI 314.2 (1982)	2. CONFORMANCE WITH ANSI 314.2 (1982)
			2. ANTI-CORROSION TREATMENT SHALL BE APPLIED TO ALL SURFACES	2. ANTI-CORROSION TREATMENT SHALL BE APPLIED TO ALL SURFACES	3. INTERNAL PAINT 400	3. INTERNAL PAINT 400
			3. THE CONTRACTOR SHALL BE RESPONSIBLE FOR THE PROTECTION OF THE UNIT DURING CONSTRUCTION	3. THE CONTRACTOR SHALL BE RESPONSIBLE FOR THE PROTECTION OF THE UNIT DURING CONSTRUCTION	4. INTERNAL PAINT 400	4. INTERNAL PAINT 400
			4. THE CONTRACTOR SHALL BE RESPONSIBLE FOR THE PROTECTION OF THE UNIT DURING CONSTRUCTION	4. THE CONTRACTOR SHALL BE RESPONSIBLE FOR THE PROTECTION OF THE UNIT DURING CONSTRUCTION	5. BREAK SCHEDULE CONFORMS TO 010	5. BREAK SCHEDULE CONFORMS TO 010
			5. THE CONTRACTOR SHALL BE RESPONSIBLE FOR THE PROTECTION OF THE UNIT DURING CONSTRUCTION	5. THE CONTRACTOR SHALL BE RESPONSIBLE FOR THE PROTECTION OF THE UNIT DURING CONSTRUCTION	1. LINEAR SCALE	1. LINEAR SCALE
			6. THE CONTRACTOR SHALL BE RESPONSIBLE FOR THE PROTECTION OF THE UNIT DURING CONSTRUCTION	6. THE CONTRACTOR SHALL BE RESPONSIBLE FOR THE PROTECTION OF THE UNIT DURING CONSTRUCTION	2. XX" = 1/32"	2. XX" = 1/32"
			7. THE CONTRACTOR SHALL BE RESPONSIBLE FOR THE PROTECTION OF THE UNIT DURING CONSTRUCTION	7. THE CONTRACTOR SHALL BE RESPONSIBLE FOR THE PROTECTION OF THE UNIT DURING CONSTRUCTION	3. 1/8" = 1/32"	3. 1/8" = 1/32"
			8. THE CONTRACTOR SHALL BE RESPONSIBLE FOR THE PROTECTION OF THE UNIT DURING CONSTRUCTION	8. THE CONTRACTOR SHALL BE RESPONSIBLE FOR THE PROTECTION OF THE UNIT DURING CONSTRUCTION	4. ANNOTATED TO THE CONTRACTOR'S DRAWING	4. ANNOTATED TO THE CONTRACTOR'S DRAWING
			9. THE CONTRACTOR SHALL BE RESPONSIBLE FOR THE PROTECTION OF THE UNIT DURING CONSTRUCTION	9. THE CONTRACTOR SHALL BE RESPONSIBLE FOR THE PROTECTION OF THE UNIT DURING CONSTRUCTION	5. ANNOTATED TO THE CONTRACTOR'S DRAWING	5. ANNOTATED TO THE CONTRACTOR'S DRAWING
			10. THE CONTRACTOR SHALL BE RESPONSIBLE FOR THE PROTECTION OF THE UNIT DURING CONSTRUCTION	10. THE CONTRACTOR SHALL BE RESPONSIBLE FOR THE PROTECTION OF THE UNIT DURING CONSTRUCTION	6. ANNOTATED TO THE CONTRACTOR'S DRAWING	6. ANNOTATED TO THE CONTRACTOR'S DRAWING

**GENERAL NOTES:**  
 1. THE CONTRACTOR SHALL BE RESPONSIBLE FOR THE PROTECTION OF THE UNIT DURING CONSTRUCTION.  
 2. THE CONTRACTOR SHALL BE RESPONSIBLE FOR THE PROTECTION OF THE UNIT DURING CONSTRUCTION.  
 3. THE CONTRACTOR SHALL BE RESPONSIBLE FOR THE PROTECTION OF THE UNIT DURING CONSTRUCTION.  
 4. THE CONTRACTOR SHALL BE RESPONSIBLE FOR THE PROTECTION OF THE UNIT DURING CONSTRUCTION.  
 5. THE CONTRACTOR SHALL BE RESPONSIBLE FOR THE PROTECTION OF THE UNIT DURING CONSTRUCTION.  
 6. THE CONTRACTOR SHALL BE RESPONSIBLE FOR THE PROTECTION OF THE UNIT DURING CONSTRUCTION.  
 7. THE CONTRACTOR SHALL BE RESPONSIBLE FOR THE PROTECTION OF THE UNIT DURING CONSTRUCTION.  
 8. THE CONTRACTOR SHALL BE RESPONSIBLE FOR THE PROTECTION OF THE UNIT DURING CONSTRUCTION.  
 9. THE CONTRACTOR SHALL BE RESPONSIBLE FOR THE PROTECTION OF THE UNIT DURING CONSTRUCTION.  
 10. THE CONTRACTOR SHALL BE RESPONSIBLE FOR THE PROTECTION OF THE UNIT DURING CONSTRUCTION.

MULTISTAT

NEX FLOW AIR PRODUCTS CORP.  
 10520 YONKE STREET, UNIT 358-220, RICHMOND HILL, ON L4C 3J7  
 TEL: (416) 410-5113 & FAX: (416) 410-1806 WWW.NEX-FLOW.COM

DATE	REV	BY	CHKD

SHEET 1 OF 1