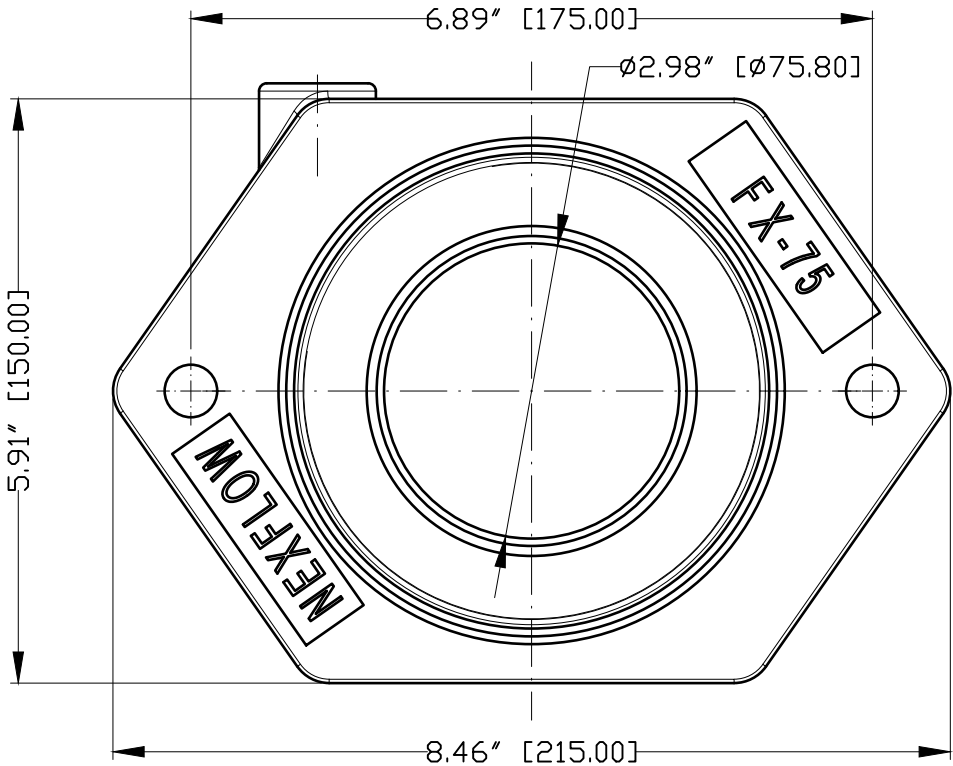
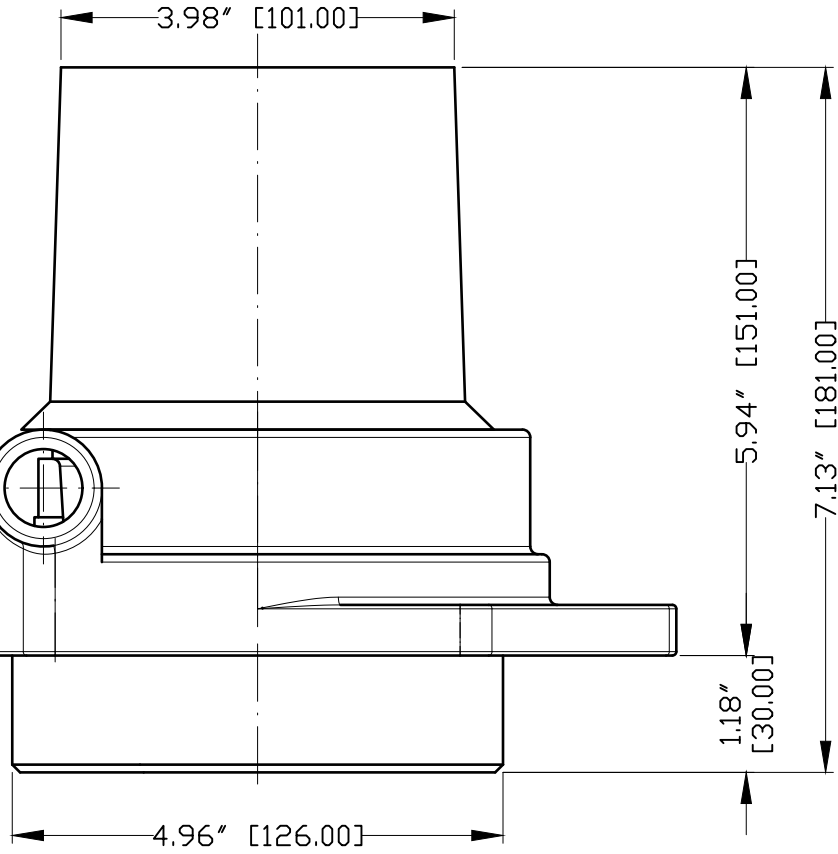


1/2" NPT INLET



THIRD ANGLE PROJECTION	REQUIREMENTS—UNLESS OTHERWISE SPECIFIED				CONTRACT NUMBER —		NEX FLOW AIR PRODUCTS CORP.					
	GENERAL				CLIENT —		10520 YONGE STREET, UNIT 358-220, RICHMOND HILL, ON L4C 3C7					
MATERIAL	1. DIMS ARE IN INCHES (MM)				CONTRACTOR —		TEL.: (416) 410-1313 & FAX: (416) 410-1806 www.nex-flow.com					
	2. DIMENSIONING AND TOLERANCING IN ACCORDANCE WITH ANSI Y14.5 (1982)				DRAWN CHIRAG.S		DATE 13/12/2018		TITLE		OUTLINE DRAWING OF	
FINISH	3. MACHINE FINISH 3.175 MICRONS RMS				DESIGN		CHECKED ASHISH		PROJECT		FX75	
	4. INTERNAL RADIUS .4				LIMITS		Q.A.		SIZE		CAGE CODE	
5. BREAK SHARP CORNERS .1 TO .4				1. LINEAR DIMS.		STRESS		MANUFACTURING		DWG NO		
				.XXX = .1		—		—		FX75		
				.XX = .2		THERMAL		MATERIALS		RELEASE		
				.X = .7		—		—		REV		
				2. ANGLES = ± 1/2°		MECHANISM		ELECTRICAL		SCALE		
				3. ROUNDOFF .010 TIR		—		—		1:1		
				4. HOLES IN ACCORDANCE WITH AND 10387		—		—		CAD NO		
						—		—		FX75		
						—		—		SHEET		
						—		—		1 OF 1		
						—		—				