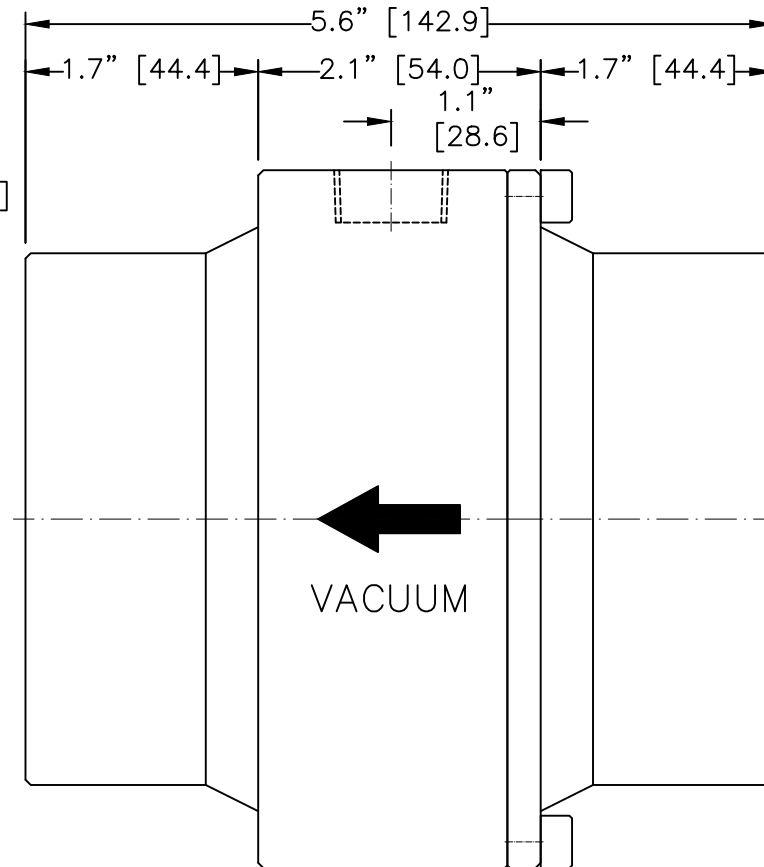
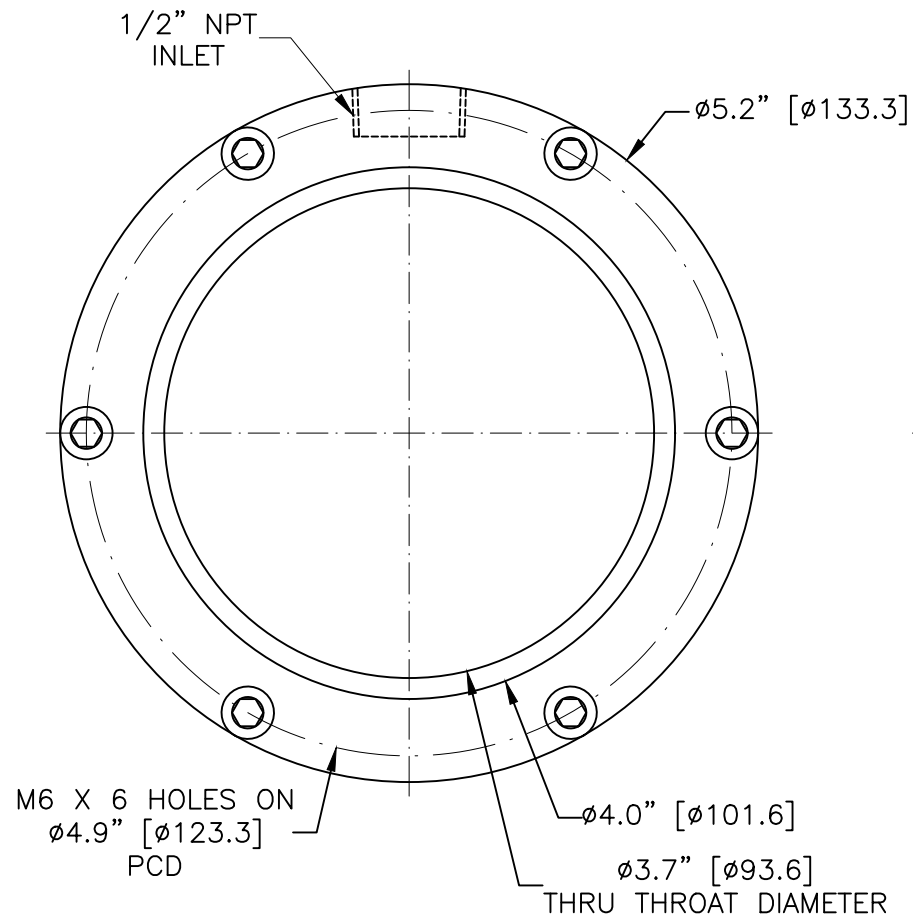


# 4" SS-316L RV OUTLINE



PROPRIETARY  
REPRODUCTION OR DISTRIBUTION  
WITHOUT WRITTEN CONSENT OF  
NEXFLOW™ IS PROHIBITED.

THIRD ANGLE PROJECTION		REQUIREMENTS—UNLESS OTHERWISE SPECIFIED		CONTRACT NUMBER —		NEX FLOW AIR PRODUCTS CORP. 10520 YONGE STREET, UNIT 35B-220, RICHMOND HILL, ON L4C 3C7 TEL.: (416) 410-1313 & FAX: (416) 410-1806 www.nex-flow.com				
		GENERAL		CLIENT —	DATE 10/03/2018	TITLE 4" SS-316L RING VAC OUTLINE				
MATERIAL	SS-316L	1. DIMS ARE IN INCHES (MM). 2. DIMENSIONING AND TOLERANCING IN ACCORDANCE WITH ANSI Y14.5 (1982) 3. MACHINE FINISH 125 MICRO INCH RMS 4. INTERNAL RADI .015" (0.4) 5. BREAK SHARP CORNERS 0.005" (0.1) TO 0.015" (0.4)		DESIGN —	CHECKED ASHISH	PROJECT —	SQA			
FINISH	BUFFING	LIMITS		STRESS —	MANUFACTURING —	SIZE C	CAGE CODE —	PART NO 30007S-316L-OL	RELEASE P	REV 1
		1. LINEAR DIMS. .XX = .005" (0.1) .XX = .010" (0.3) .XX = .030" (0.8)		MECHANISM —	ELECTRICAL —	SCALE 1:1	DWG NO	SHEET 1	OF 1	
		2. ANGLES = ± 1/2" 3. RUNOUT .010 TIR 4. HOLES IN ACCORDANCE WITH AND 10387								