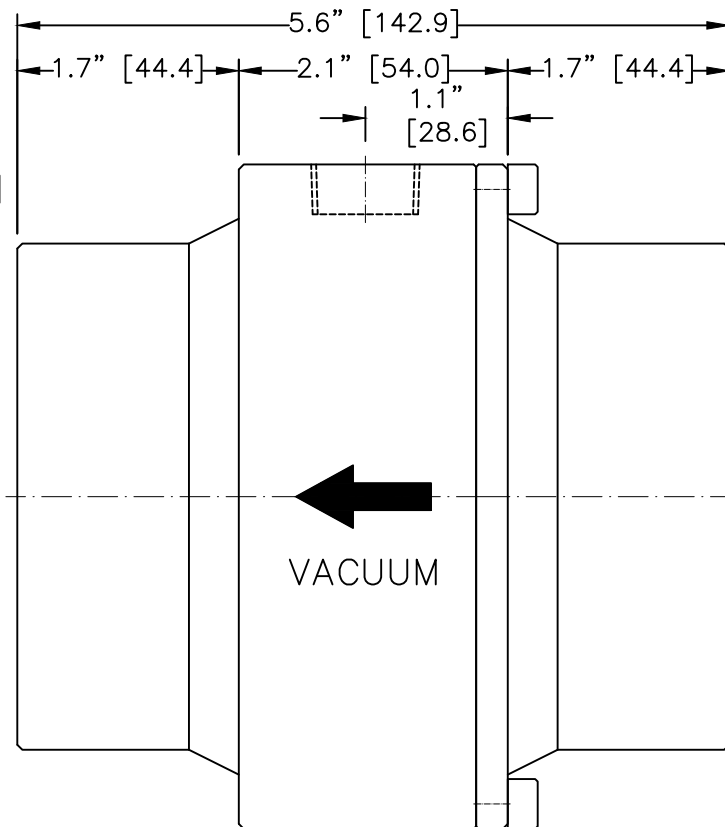
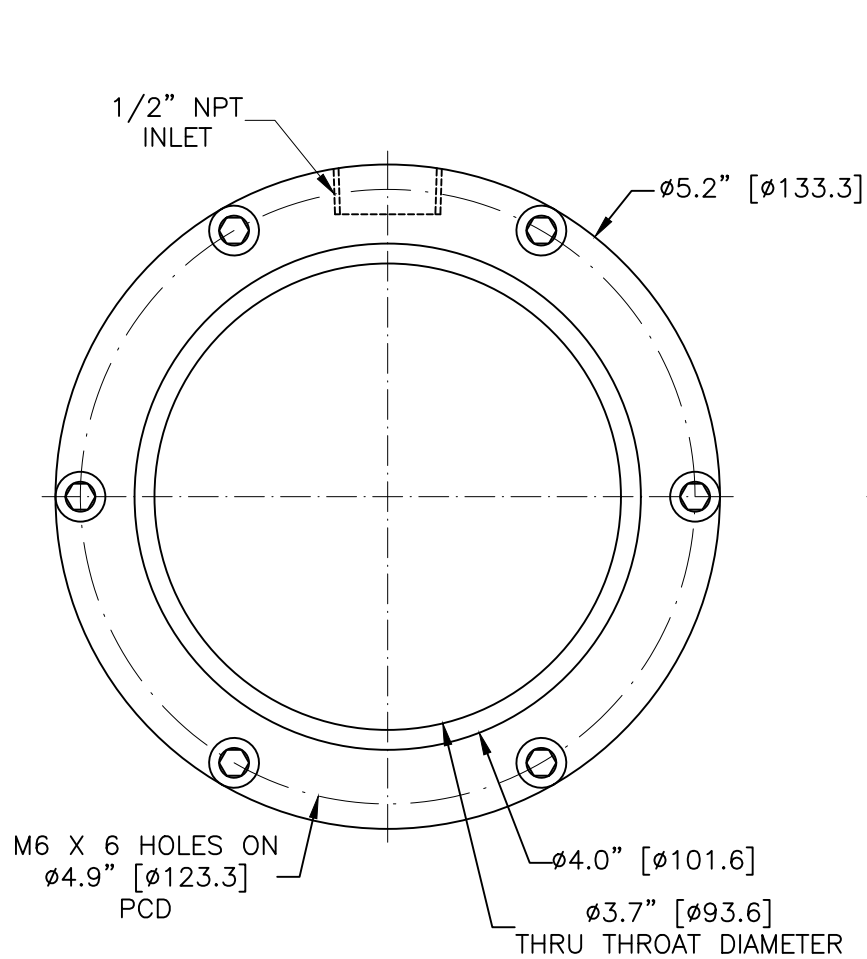


# 4" SS-304 RV OUTLINE



PROPRIETARY  
REPRODUCTION OR DISTRIBUTION  
WITHOUT WRITTEN CONSENT OF  
NEXFLOW™ IS PROHIBITED.

THIRD ANGLE PROJECTION		REQUIREMENTS—UNLESS OTHERWISE SPECIFIED	CONTRACT NUMBER	NEX FLOW AIR PRODUCTS CORP. 10520 YONGE STREET, UNIT 35B-220, RICHMOND HILL, ON L4C 3C7 TEL: (416) 410-1313 & FAX: (416) 410-1806 www.nex-flow.com						
		GENERAL	CLIENT	TITLE						
MATERIAL	SS-304	1. DIMS ARE IN INCHES (MM). 2. DIMENSIONING AND TOLERANCING IN ACCORDANCE WITH ANSI Y14.5 (1982)	CONTRACTOR	DATE	10/03/2018	4" SS-304 RING VAC OUTLINE				
FINISH	BUFFING	3. MACHINE FINISH 125 MICRO INCH RMS	DESIGN	CHECKED	ASHISH	SIZE	CAGE CODE	PART NO	RELEASE	REV
		4. INTERNAL RADII .015" (0.4)	5. BREAK SHARP CORNERS 0.005" (0.1) TO 0.015" (0.4)	PROJECT	G.A.	SCALE	1:1	DWG NO	SHEET	1 OF 1
		LIMITS	STRESS	MANUFACTURING	30007-OL					
		1. LINEAR DIMS. XXX = .005" (0.1) YYY = .010" (0.3) ZZZ = .030" (0.8)	THERMAL	MATERIALS						
		2. ANGLES = ± 1/2°	Mechanism	ELECTRICAL						
		3. RUNOUT .010 TIR								
		4. HOLES IN ACCORDANCE WITH AND 10387								