

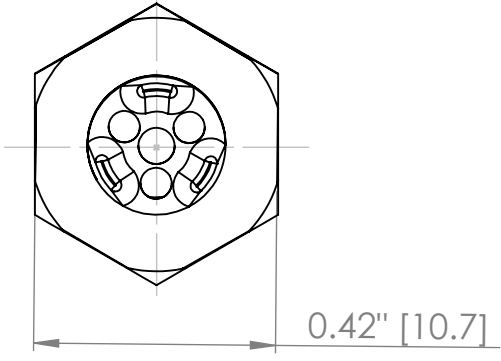
4 3 2 1

F

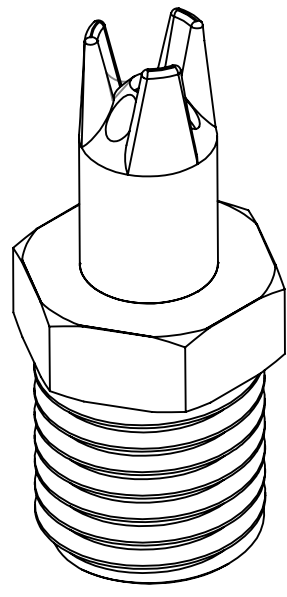
F

E

E



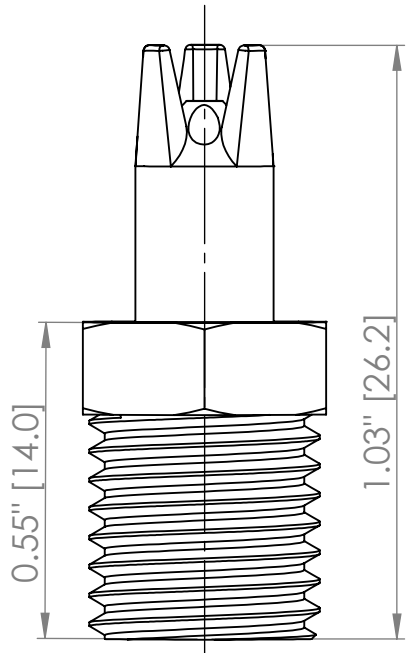
TOP VIEW



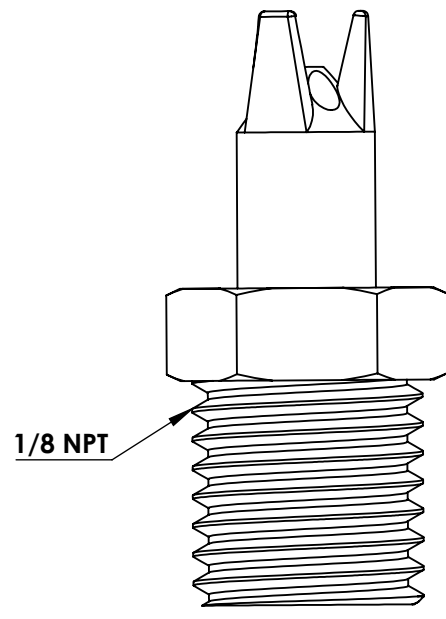
ISOMETRIC VIEW

D

D



FRONT VIEW



RIGHT VIEW

C

C

B

B

UNLESS OTHERWISE SPECIFIED:  
DIMENSIONS ARE IN INCHES  
[MILLIMETERS]

FINISH:

REVISION : A

NEX FLOW AIR PRODUCTS CORP.  
10520 YONGE STREET, UNIT 358-220, RICHMOND HILL, ON L4C 3C7  
TEL:(416) 410-1313 & FAX (416) 410-1806 www.nex-flow.com

	NAME	SIGNATURE	DATE
DRAWN	AFAN		06/12/2022
CHK'D			
APPV'D			
MFG			
Q.A			

TITLE:	6mm nozzle with 1/8" adapter	
MATERIAL:	STAINLESS STEEL	
DWG NO.	47002AMST	A4
WEIGHT:		
SCALE:3:1	SHEET 1 OF 1	

A

A

4 3 2 1